

# RANGEMASTER® 64000 SERIES RANGE HOOD

Provides high ventilation and durable construction to meet the needs of professional-style home cooking appliances

A complete installation requires several optional components.

### FEATURES

#### HOOD:

- Widths – 30" to 48" in 6" increments
- Finishes – Stainless Steel and appliance colors in White, and Black
- Aluminum grease filters are dishwasher safe
- Dual infrared food warming lamps (120V, IR175W, PAR38) (Purchase separately)
- Warming lamps can be replaced with 90W halogen white lights (120V, 90W, PAR38)
- Halogen lamps (2 for 30" and 36" hood; 3 for 42" and 48" hood) (120V, 50W, PAR20) (Purchase separately)
- Solid-State, infinite speed blower control with speed memory
- Exclusive, Broan Heat Sentry™ turns blower ON to HIGH speed when excess heat is detected
- Baffle filters available

#### BACKSPLASH:

##### RP Series (Optional)

- Widths – 30" to 48" in 6" increments
- Stainless Steel construction – protects back wall and wipes clean easily
- Two, dual-position food warming / condiment storage shelves

### SPECIFICATION

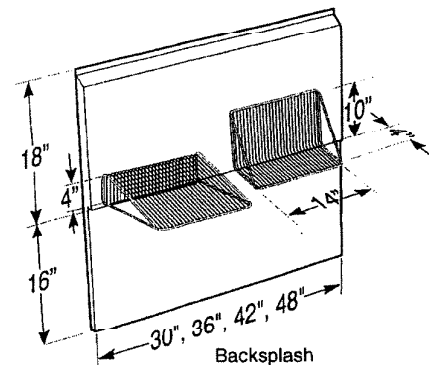
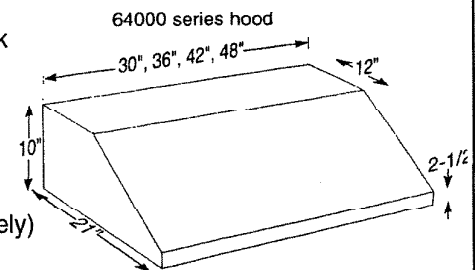
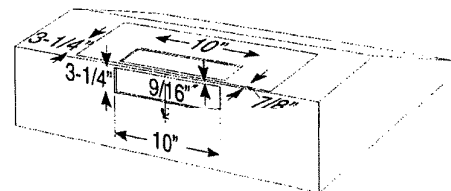
Volts: 120

Hz: 60

Amps (without blower): 4.2 (for 42" and 48" hood)  
3.75 (for 30" and 36" hood)

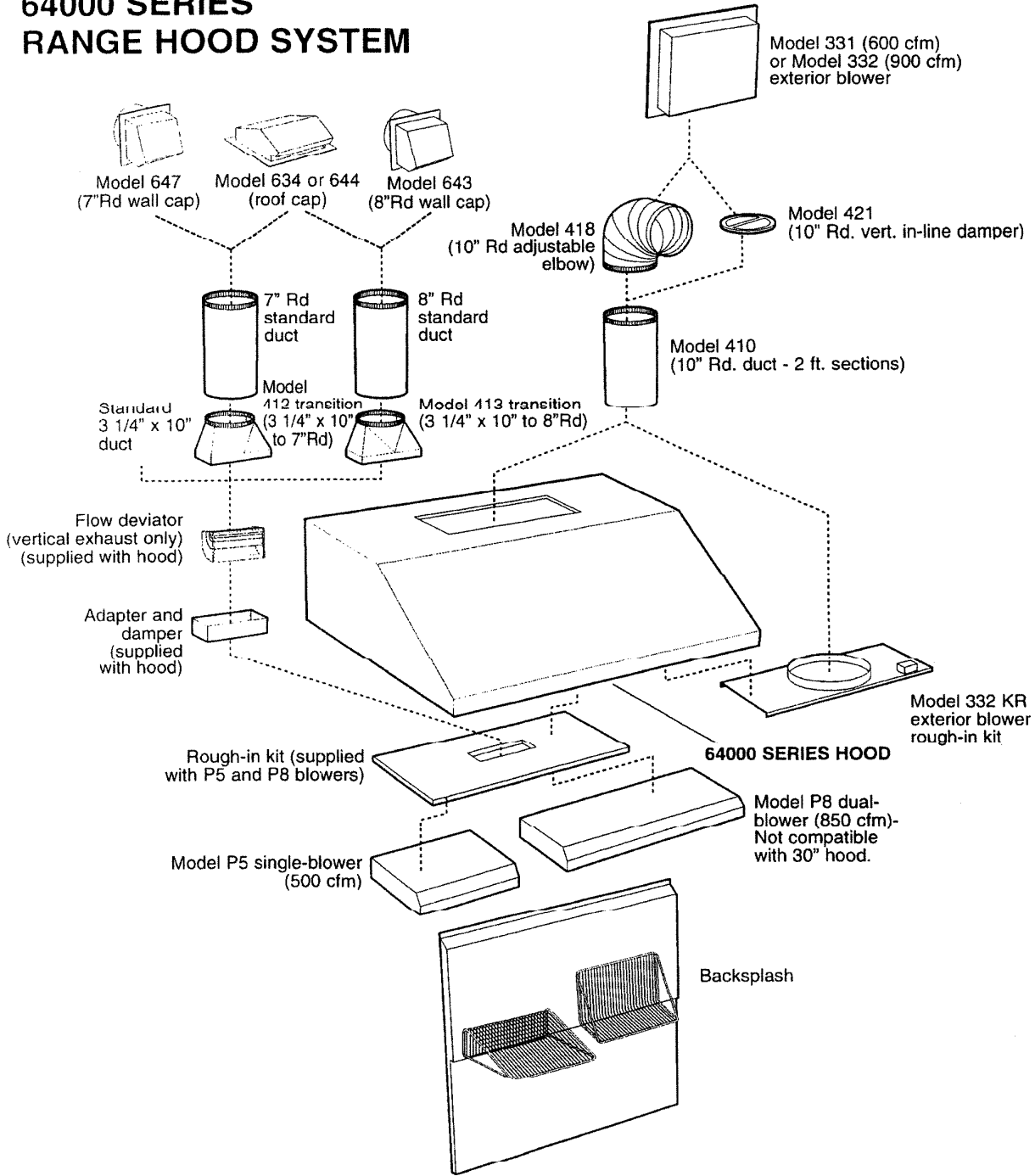


c



REFERENCE	QTY.	REMARKS	Project
			Location
			Architect
			Engineer
			Contractor
			Submitted By
			Date

# 64000 SERIES RANGE HOOD SYSTEM



**NuTone**